



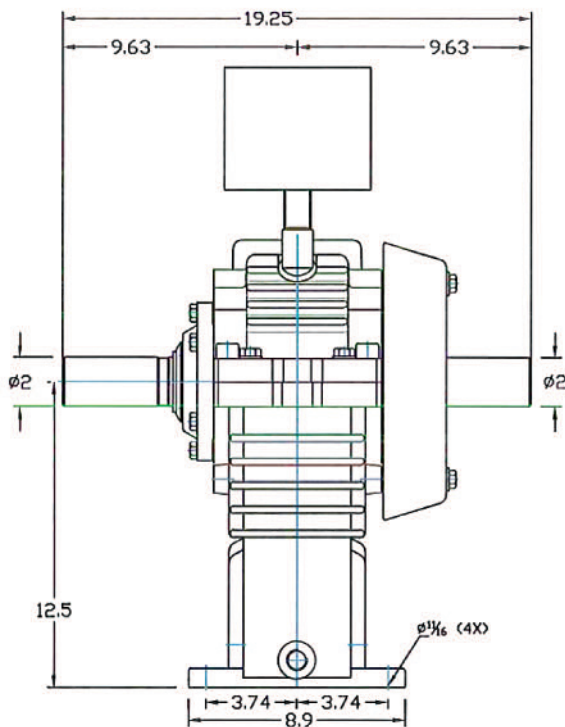
The *GTO RHINO GEAR*[®] gearbox is a single-stage, parallel shaft speed increaser. Heat dissipation is from a dynamically balanced fan blowing across the finned gearbox casing. The design is for horizontal installation only. The design, material, and workmanship incorporated in the construction of the *GTO RHINO GEAR*[®] make it capable of giving long, trouble-free service. The *GTO RHINO GEAR*[®] is typically used with the Thomas Pump & Machinery *GTO GATOR*[®], *GTO RHINO*[®], and *GT-11* Pumps.

THOMAS PUMP & MACHINERY, INC.

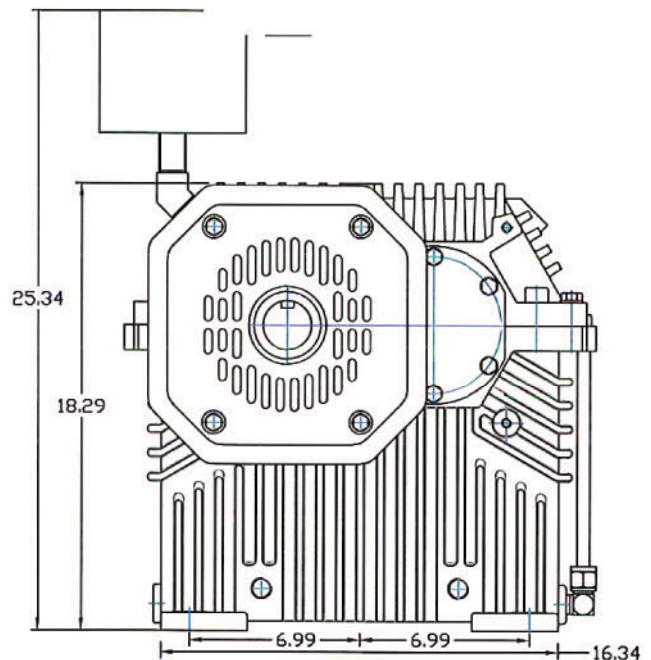
Ratio Chart

Speed Inc Ratio	Output Speed	Max. Input HP	Output Speed	Max. Input HP
Ratio				
1.1509	4086	400	3395	335
1.2353	4385	400	3644	335
1.3265	4709	400	3913	335
1.4255	5060	400	4205	335
1.5333	5443	400	4523	335
1.7805	6321	400	5252	335
1.9231	6827	400	5673	335
2.08	7388	400	6139	336
Input	3550 RPM	60 Hz	2950 RPM	50 Hz

Gear teeth ground to AGMA class 10



WEIGHT: 380 LBS
OIL CAPACITY: 2.5 USG-9.51L



Thomas Pump
& Machinery, Inc.
120 Industrial Dr.
Slidell, LA 70460 USA
Phone: 985-649-3000
Fax: 985-649-4300

Thomas Pump
& Machinery, Inc.
105 Enterprise Ave.
Carrollton, GA 30117 USA
Phone: 770-908-8000
Fax: 770-908-8008

Thomas Pump Panama, S.A.
RUC
Urb. Bariloche, No. 3
Altos de Panama, Panama
Phone: 507-230-5523
Fax: 507-230-5522

Thomas Pump Europe
Klaroenring 54
4876XZ Etten-Leur
The Netherlands
Tel: +31 76 50 16 067
Fax: +31 76 50 34 499
Email: info@icpn.nl
Webmail: www.icpn.nl

Email: tpump@thomaspump.com